

TECHNI+ ELECTRIC HEATER

TECHNICAL DOCUMENT



CE CERTIFICATION



The Techni+ electric heater is a heating device that replaces the Bunsen burner.

It sterilises instruments and can be used for glasswork or to make **dental prostheses**. It can be used **under a hood** and for all manipulations in sterile spaces. The appliance is compact and takes up no more space than a Bunsen burner.

K-FACTORY

3 rue Denis Papin – 14840 DEMOUVILLE – France

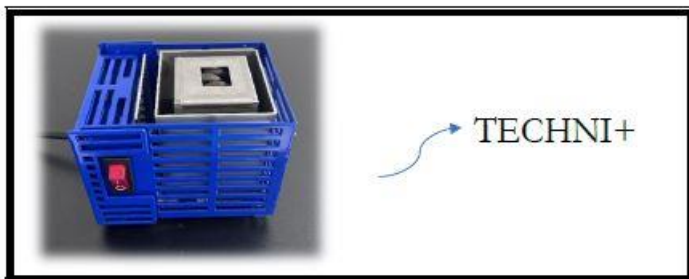
Tel: +33 (0)2 31 82 02 02 / email: service.client@k-factory.tech

CONTENTS

1. SAFETY INFORMATION	4
2. COMMISSIONING AND INSTALLATION	6
3. TECHNICAL CHARACTERISTICS	7
4. INSTRUCTIONS.....	8
5. TROUBLESHOOTING	12

EU DECLARATION OF CONFORMITY

1. **TECHNI+**
2. Name and address of the manufacturer : **K-FACTORY**
3 rue Denis Papin – 14840 – Démouville
3. This declaration of conformity is issued under the sole responsibility of K-FACTORY.
- 4.



5. The object of the declaration described in point 4 is in conformity with the relevant Union harmonisation legislation :
 - Directive 2011/65/UE (RoHS)
 - Directive 2014/35/UE (LVD)
 - Directive 2014/30/UE (EMC)
6. References to the relevant harmonised standards used or references to the order technical specifications in relation to which conformity is declared :
 - Reference of standard like EN 62321-1
 - Reference of standard like EN 61010-1:2010
 - Reference of standard like EN 61326-1:2013
7. **Démouville, le 01/03/2023**

1. SAFETY INFORMATION

WARNING

- Heating device, high-temperature gloves mandatory.
- Do not touch heating elements during use. Do not handle the device or touch metal surfaces during heating.
- Observe good laboratory practice when using the device, as well as company safety procedures.
- Heating certain substances may release hazardous or highly flammable gases. Take all necessary precautions, such as using an air extraction system.
- Follow the company's guidelines when heating products with explosion risk.
- A container must be used to heat any substance or material, otherwise the device may be damaged. There must be no physical contact between the heating elements and the substance to be heated.
- Use a suitable container, resistant to high temperatures (800° C).

- Allow containers to cool for 10 minutes after use. Use heat-resistant gloves.
- Do not fill containers on the device while it is connected to the mains.
- The device is designed to heat sterilize an area with a 15 cm radius around it. Do not place anything near it and be sure to isolate it from any combustible material. Surrounding surfaces must be dry and free of impurities.
- Take care not to cover the device, as it cools with the ambient air.
- Never leave the device to heat up without the supervision of an operator.
- Do not remove rivets from the metal casing.

NOTE : the device must be used in accordance with the above instructions to avoid compromising safety.

2. COMMISSIONING AND INSTALLATION

The device has a Class II installation category according to protection against electric shock.

Environmental conditions :

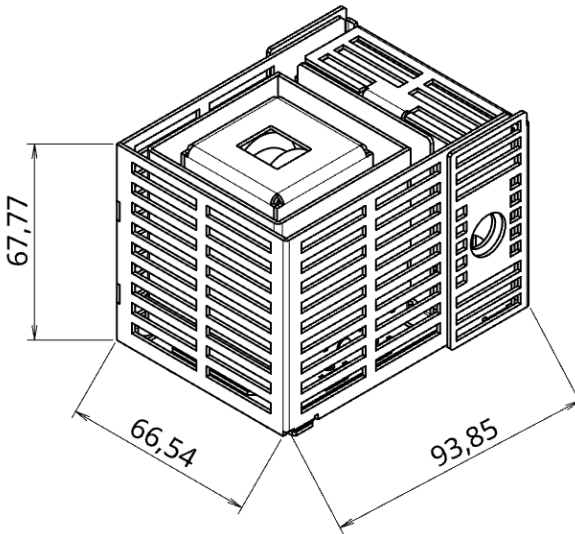
- Indoor use only
- Temperature from + 5°C to + 40°C
- Max. relative humidity : 80%.

Mains connection in compliance with standard NFC 15-100. This recommends the use of a 30 mA high-sensitivity differential circuit breaker.

Operating voltage : 230 V 50-60 Hz ; rated power : 250 W

3. TECHNICAL CHARACTERISTICS

WEIGHT	1 KG
DIMENSIONS (mm)	See below
POWER	250 W
POWER SUPPLY	230 V 50 Hz
RAPID FUSE PROTECTION	2.5 A
POWER ON INDICATOR	red



The operational flux is 700°C and is identical to the flame.
Users can work safely over a hot air column.

-----Accessories not provided-----

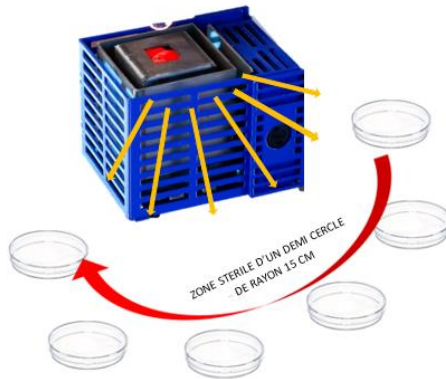
4. INSTRUCTIONS

ATTENTION : Always observe the safety instructions.
You are about to use a **HIGH TEMPERATURE** device.
THE OUTER CASING STAYS COLD DURING USE.

- Place the appliance on a flat, stable surface.
- Connect the appliance to a 230 V earthed mains socket.
- Turn the switch with the **red** power indicator to the ON position. The LED will light up. The device is now in operation.
- To switch off the appliance: turn the control knob back to OFF. The **red** light will go out. The appliance is now completely switched off.
- **GLASSWORK** : To **make a rake**, the pipette glass must be bent twice. It only takes a few seconds to bend the first part. The rake is completed in 15 seconds.
- **HEATING** : As the hot air column replaces the flame, it is possible to **ignite** a glass strip.



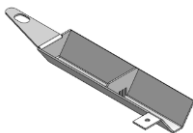
- **STERILISATION** : of glassware necks.
- **MICROBIOLOGY** : to **warp a platinum loop**, insert it in the centre of the resistance and leave to heat up for a few seconds until incandescence is observed.
- The appliance produces a **sterile space all around it over a 15cm diameter**.



- The appliance can be used to **heat thermoplastics and waxes** for dental impressions.

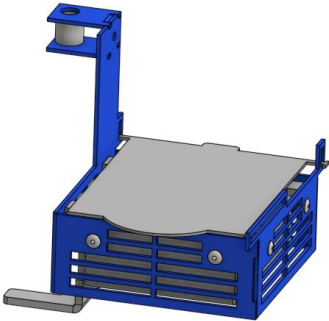
ACCESSORIES :

- Wax can be added using sticks or our 2203T gutter.

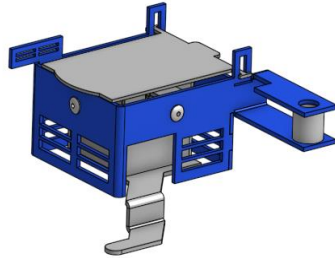


REF. 2203 T

- Two dipping wax tanks are available: they heat the wax to the ideal temperature, suitable for use after 12 minutes of heating ; these tanks have a "hold temperature" position.



Large tank REF 2201 T



Small tank REF 2202 T

- The universal 2204T stand allows accessories to be attached.

Stand consisting of a pedestal (*base*) and a rod with various modules depending on the choice of accessory (*gutter, large tank, small tank*).

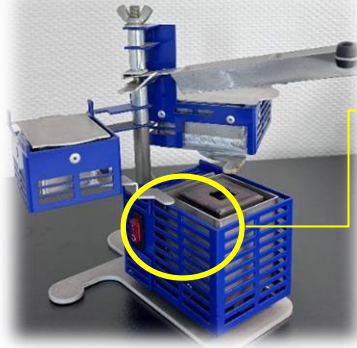


Base



Rod

REF. 2204 T



Temperature maintenance: the "tongue" of the tank touches the device, keeping the wax at a constant temperature.

MAINTENANCE

The appliance does not require periodic maintenance. In the event of pollution, the following precautions should be taken when cleaning:

- The appliance must be switched off and disconnected from mains.
- Cleaning should only be carried out when the appliance is cold. No maintenance of the electrical part is required.

REPLACING THE FUSE

1. The fuse must be replaced with the device disconnected from its power source, and only by a competent electrician under the direction of the person in charge.
2. Remove the screw holding the fuse.
3. Remove and replace the fuse with an approved type F.2.5 A.H 250 V fuse.
4. Reinsert the fuse, then close the flap and secure it.

5. TROUBLESHOOTING

If the **red** power light does not come on:

- a) Set the control knob to OFF.
- b) Disconnect from the mains.
- c) Turn the device over.
- d) Change the fuse. (See REPLACING THE FUSE)

2.5-amp quick-blow fuse with high breaking capacity (250 volts)

If the appliance still does not work, please contact us.

If wax falls onto or into the TECHNI+, it will burn off without damaging the appliance.

Please note that any use of the appliance that does not comply with the manufacturer's instructions may compromise the safety of the TECHNI+.

----- **3 YEAR WARRANTY** -----